

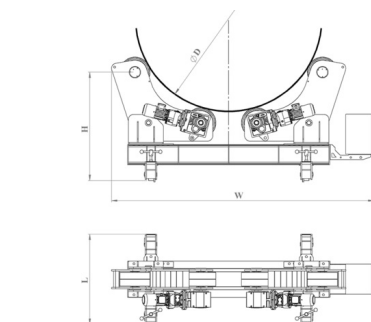
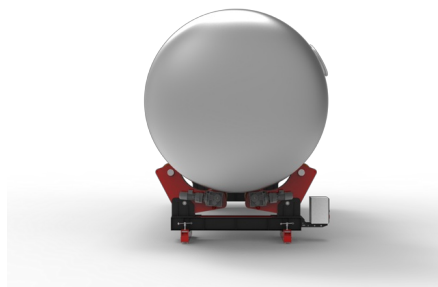
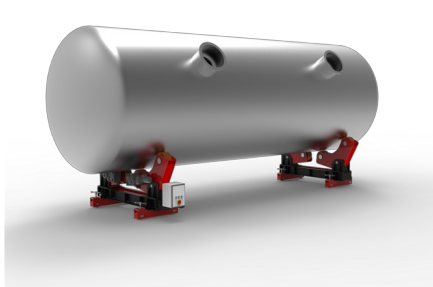
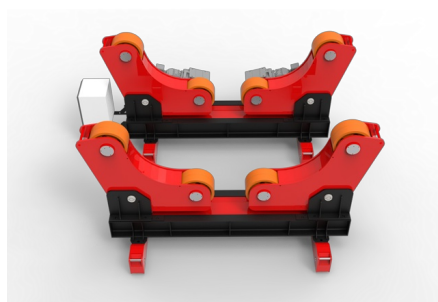
Selfaligning Rotators YKSROT 020

Model	YKSROT 020
Brand	<u>YKS</u>
Condition	new
Load capacity	20000 kg
Origin	Türkiye

⌚ approx. 3-6 weeks from placing order

€ 16.000,00

Leasing*: € 307,20



General characteristics

Load capacity	20000 kg
Load capacity per unit	10000 to
Min. diameter	900 mm
Max. diameter	4500 mm
diameter of rolls	300 mm
width of rolls	2 x 70 mm

Dimensions and weight

Description

Rotators are used across industries to facilitate production and simplify the assembly of tanks, drums, as well as pressure vessels and cylinders of all types and sizes.

They increase speed and efficiency in both automatic and manual welding processes by increasing productivity while minimizing additional work steps and crane use.

They allow the operator to control all functions, including clockwise and counterclockwise rotation, with exceptionally smooth and precise speed control.

Roller material: Polyurethane

Standard rotators currently cover load capacities from 5 to 150 tons.

Capacity can be expanded up to 250 tons upon request.

Further information

Brochures

- [Katalog YKS Schweißdrehtische und Behälterdrehvorrichtungen](#)

Notice

Prices ex location, excluding VAT.

The [General Terms and Conditions of Delivery](#) of the Austrian Association of the Machine and Steel Construction Industry apply.

We only sell under retention of title, the goods remain our unrestricted property until they have been paid for in full.

Price changes and errors excepted.

* Monthly net leasing rate, leasing period 60 months, no down payment, 5% residual value, subject to a positive credit check. The leasing conditions of [GRENKELEASING GmbH](#) apply. Valid for lessees based in Austria.