

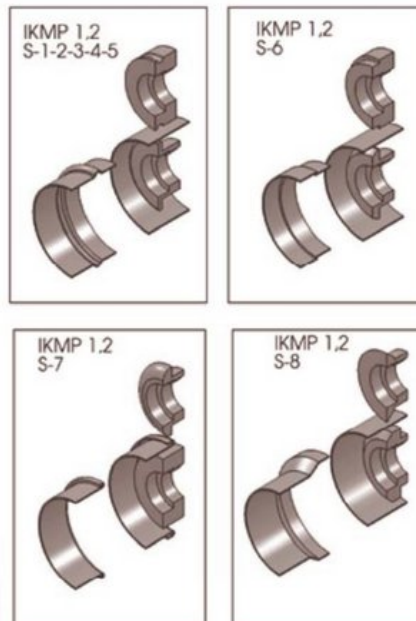
Motorized crimping machine IKMP 1,2

Model	IKMP 1,2
Brand	<u>HESSE by ISITAN</u>
Condition	new
Year of manufacture	2026
Max. thickness - mild steel	1.2 mm
Stock number	90202
Origin	Türkiye

🕒 May 2026, subject to prior sale

€ 3.100,00

STANDARD ROLLS for IKMP and IKM



Originalfoto



Originalfoto



Originalfoto



Originalfoto



Originalfoto

General characteristics

Max. thickness - mild steel	1.2 mm
Throat depth	100 mm
Shaft length	140 mm
Tools	8 pcs.
Rolls diameter	62 mm
Motor	0.75 kW
Revs	32 1/min

Dimensions and weight

Length	900 mm
Width	450 mm
Height	1350 mm
Weight	135 kg

Description

Heavy duty cast iron main frame

Brake motor

Foot pedal

Adjustable lower roll

8 set of rolls

Complete with stand

User manual in ENGLISH or GERMAN

Further information

Brochures

- [Isitan IKMP 1,2](#)
- [Isitan Katalog 2025](#)

Notice

Prices ex location, excluding VAT.

The [General Terms and Conditions of Delivery](#) of the Austrian Association of the Machine and Steel Construction Industry apply.

We only sell under retention of title, the goods remain our unrestricted property until they have been paid for in full.

Price changes and errors excepted.