

■ PRO-36 AUTO | AUTO FEED MAG DRILL WITH LED MONITORING SYSTEM

New PRO-36 AUTO is equipped with unique LED monitoring system that indicates current condition of the drill and gives additional safety and diagnostic information.

Auto Feed Smart Drive System optimizes parameters for each cutting/milling operation, when drill works in automatic mode. The drill controller keeps choosing the most effective working conditions based on the correlation of motor load, feed speed and the range of allowable cutting parameters for a given tool type and hole diameter.

It results in extending tool life of both HSS and TCT cutters and enhanced machine performance.

Countersinking and working on thin workpieces, when the LED shows that the clamping force is low (flashing green) are possible in manual mode only.

A safety strap protects the machine from falling in case of a clamping loss.

■ Features and benefits:

- LED Monitoring System indicates current condition of the drill and gives safety and diagnostic information
- LED Monitoring System flashes green when inadequate adhesion is detected due to e.g. gap or thin workpiece
- Auto Feed Smart Drive optimizes the milling parameters for each tool individually depending on its type (HSS or TCT) and hole diameter from 12 mm up to 36 mm, that significantly extends tool life
- tilt sensor stops the motor if machine breaks away
- dual bars guide system ensures extraordinary stiffness and adjustment free operation
- Magnetic Field Shape Control (MFSC) provides maximum holding power on thin materials
- Auto-feed control stops the machine when cutter goes through
- protection against auto restart after power cut off
- compact, rigid design with ultra-light weight of 13.5 kg



Core drill
max 36 mm
(1-7/16")



Depth of cut
51 mm
(2")



Stroke
70 mm
(2-3/4")



Speed
350 rpm



Power
1020 W



Weight
13.5 kg
(30 lbs)



Overload
protection



Magnet
detachment
safeguard

LED Monitoring System

This unique LED interface generates signals in green and red colors to indicate current condition of the drill and give safety and diagnostic information. It provides quick exchange of information between the drill and the operator in the event of an emergency



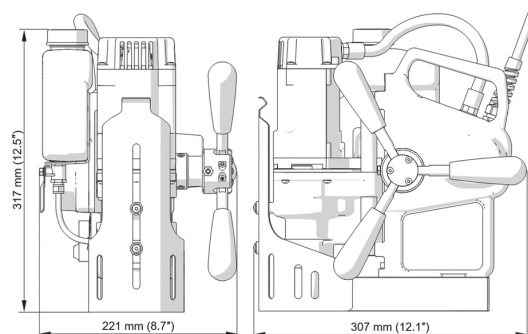
CONDITION OF THE DRILL		Strong surface. Ready to Operate. (Solid Green)
		Emergency stop. The base is not in contact with surface. (3 Red Flashes between Green)
		Emergency stop. Machine tilt or vibrations. (4 Red Flashes between Green)
		Emergency stop. Spindle motor overload. (5 Red Flashes between Green)
		Emergency stop. Feed motor overload. (6 Red Flashes between Green)
SAFETY INFORMATION		Weak surface. Low clamping force. (Flashing Green)
DIAGNOSTIC INFORMATION		Defective control system. (7 Red Flashes between Green)

PRO-36 AUTO Technical Specification	
Motor Speeds	350 rpm (under load) 580 rpm (idle run)
Power	1020 W
Weight	13.5 kg (30 lbs)
Max milling capacity	36 mm (1-7/16")
Max countersinking	40 mm (1-9/16")
Stroke	70 mm (2-3/4")
Max depth of cut	51 mm (2")
Voltage	1~ 220-240 V, 50-60 Hz 1~ 110-120 V, 50-60 Hz
Magnetic clamping force (surface with the thickness of 25 mm and roughness Ra = 1.25)	917 kgf (9 000 N)
Magnet Base Dimensions	80 mm × 160 mm × 38 mm 3-1/8" × 6-5/16" × 1-1/2"
Min. Workpiece Thickness	6 mm (1/4")
Tool holder	19 mm (3/4") Weldon
Product Code 220-240 V, 50-60 Hz	WRT-0672-10-20-00-0
Product Code 110-120 V, 50-60 Hz	WRT-0672-10-10-00-0



Standard shipping set:

- Drilling machine
- Metal box
- Safety strap
- Cooling system bottle
- Chip guard
- 4 mm hex wrench
- Operator's Manual



All information is subject to change without notice. 21.12



Your local dealer:



Vertrauen Sie auf bald 80 Jahre Erfahrung!

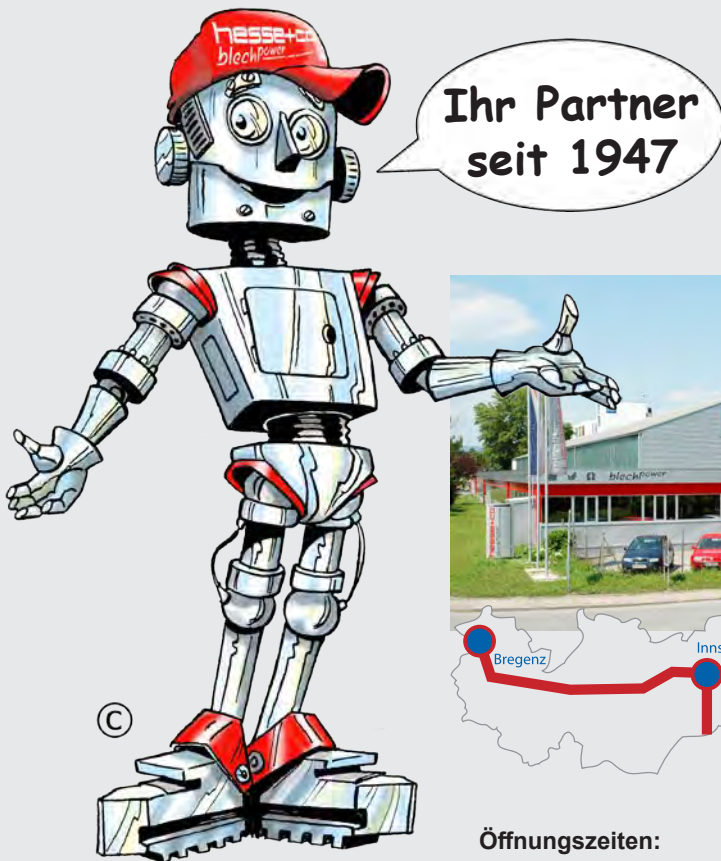
Die Firma **Hesse + Co** wurde 1947 als Hersteller von Blechbearbeitungsmaschinen gegründet. Seit 1980 sind wir auf den Handel mit neuen sowie gebrauchten Blechbearbeitungs- und Werkzeugmaschinen spezialisiert.

Wir haben ständig etwa 300 Maschinen in unserer 2.000 m² großen Ausstellungshalle, die nur 20 Minuten vom internationalen Flughafen Wien entfernt ist.

Trust in nearly 80 years of experience!

Hesse + Co was established in 1947 as a manufacturer of sheet metal working machines. Since 1980 we are specialized in dealing with new and second hand sheet metal processing machines and machine tools. We always have approximately 300 machines available in our 2.000 m² showroom, which is located only 20 minutes from the Vienna International Airport, waiting for your inspection.

www.hesse-maschinen.com



Öffnungszeiten:

Mo - Do 7:45 - 16:30 Uhr
Fr 7:45 - 13:15 Uhr

Hesse + Co Maschinenfabrik GmbH
Industrienzentrum NÖ-Süd
Straße 4 - Objekt 8
A-2351 Wiener Neudorf
AUSTRIA

hesse **hesse+co**
blechpower
maschinen und werkzeuge

Tel.: +43/2236/638 70-0
office@hesse-maschinen.com
www.hesse-maschinen.com

Technische Änderungen, Irrtum und Druckfehler vorbehalten.
Gültig bis auf Widerruf.