

The Winning Force

DURMA

AD-R SERIES

Press Brakes



- Easy to use
- Fast
- Productive
- Winning
- Ergonomic



DURMA The Winning Force





As a total supplier for sheet metal manufacturing with almost 60 years of experience, Durma understands and recognizes the challenges, requirements and expectations of the industry. We strive to satisfy the ever higher demands of our customers by continuously improving our products and processes while researching and implementing the latest technologies.

In our three production plants with a total of 150.000 m², we dedicate 1,000 employees to delivering high quality manufacturing solutions at the best performance-to-price ratio in the market.

From the innovations developed at our Research & Development Center to the technical support given by our worldwide distributors, we all have one common mission: to be your preferred partner.

Present Durmazlar machines with **DURMA** name to the world.



1

High technology,
modern production
lines



2

Top quality
components



3

High quality
machines designed
in R&D Centre

The Winning Force

With simple programmable features the high speed AD-R Series press brake adds value to your business with low energy consumption, precision bending and maintenance-free structure. This series can be used safely for many years and simplifies the operators work load.

With DURMA press brakes, you always get great results.



Fast, productive and perfect bending

Always precision bending results

Minimized tool exchange and setting time

Maximized speed and security



AD-R Series Press Brakes



Advance Your Standards

World leader in its category

Perfectly equipped for sensitive bending,
energy efficient solutions

With its easy to use control units, rigid body frame, perfect design, high efficiency, multiple tool usage solutions, top level CE safety standards and with its suitable price range, AD-R is the World leader in its category.



**Easy to
Use**

Ergonomic

Efficient

Fast

**Reliable
Brand**

Why DURMA Press Brakes

- Better and faster bending
- Stronger and rigid body structure
- High sensitivity and repeatability
- Latest technology
- Low service cost
- Reliability

Gain More Power

With its Performance and Price ratio it is the best CNC Press Brake in the World

AD-R series press brakes give excellent results of various type business types. It provides a convenient workspace for bends in many different sizes with a longer daylight.



General Specifications

- High sensitivity, Stress relieved steel construction body, long life Mono Block Frame
- Automatic calibration and first start up
- DURMA designed and copyrighted guiding system
- Ball Screw and linear guide integrated perfect back gauge system
- Durable, long life and sensitive bending capable special hardened top tools
- Suitable for segmented tools special and fast tool holding system
- Sensitive solutions on Long and deep bending
- High accuracy linear scales
- CE safety standards
- Best quality world wide accepted hydraulic and electric components

Strong Back Gauge System

Precise

Reliable

Strong

- Fast and high accuracy
- Safe movement
- Adjustment availability at every point
- Resistance to crash
- Maintenance free



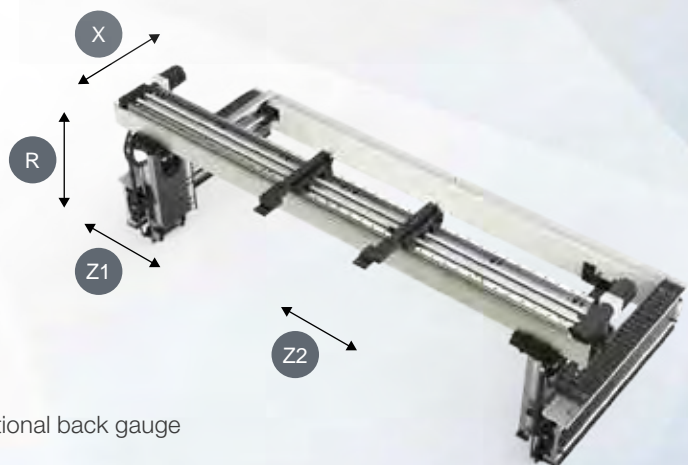
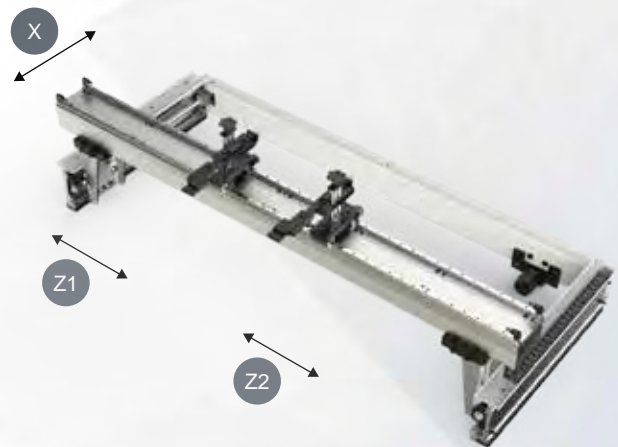
Standard back gauge
X CNC
R manual
Z manual

Why DURMA Back Gauge ?

Most important feature to achieve perfect bending is the stability and the design of the back gauge, which allows an impeccable and correct product to be produced.

The high speed **ballscrew** back gauge system movement is also supported with **linear guides**, which helps the back gauge achieve long life, greater sensitivity and strengthens against any collisions.

Special designed finger blocks with steps to achieve maximum stability can also be supplied for every kind of bending solution.



CNC Optional back gauge
X-R
X-R-Z1-Z2

Tool Holders and Tools

Bending performance increased using with high quality European clamping system and easy to use. Narrow table designed for European style tool holder and Z bending.

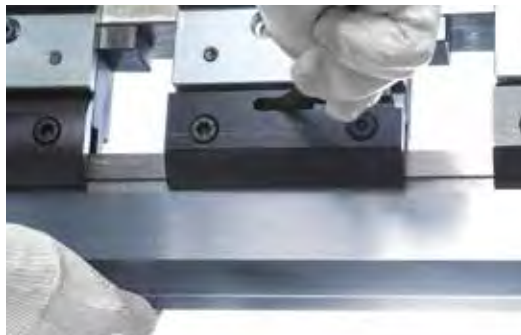
DURMA is your solution partner with various tool options.



European Clamping System



European Type Bottom Tool (4V Die)



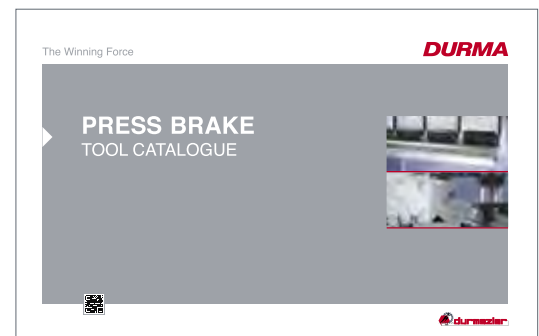
Quick Release Clamping



DURMA Multi V Bottom Tool



DURMA Top Tool



Safe and Accurate Bends with Top Quality Equipments

Crowning System

Manual or CNC-controlled motorized crowning system simplifies bending, by adjusting each point of the bending parts to acquire straight bends. The need for shimming is eliminated.



CNC Crowning System

Linear Guide Front Sheet Supports

Rugged support arms with tilting stops are mounted on a linear guide rail system. This allows “finger-tip” lateral adjustment as required by the bend length of the part. They are also equipped with side gauges for the fast, easy, and accurate feeding of parts small or large.



Linear Guide Front Sheet Supports

CE Safety Systems

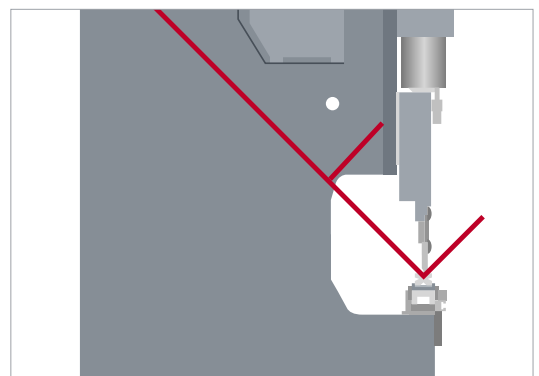
Our machines are designed in accordance with CE -Norms to ensure your safety with hydraulic, electric, appropriate height covers and laser light curtains. CE safety in tandem machines are also provided with light barriers



CE Laser Safety System

Stable Top Beam Movement

By using long and planar guiding surfaces, all the disadvantages of point guiding are eliminated 100%. free bending space: guiding system that eliminates bending between frame has been moved to the outside of the frame.



90 Degree Endless Bend

DURMA Touch

DT-15 Control Unit



Create profile with touch screen



Online service via Internet connection



Diagnostic mode



Easy programming page



Automatic bend calculation and listing



Tool programming and library



D-Bend offline software

D-Bend Offline software allows you to simulate your bending at your desk in your office.

You can create your tools and it provides the opportunity to make new programs without interrupting production. D-Bend verifies your bend sequence. Creates verified part drawings for Laser, punch, and plasma machines.

Everything is Under Control with User-Friendly

DT15

- Automatic bend listing
- Storing your programs
- Easy bend functioning
- 2D color graphics display and multiple simulation
- Linux operating system
- D-Bend offline software
- Tandem compatible
- Multiple language options
- Ergonomic panel design
- USB port, back-up 10 "TFT color touch screen



Optional Control Units

SKY 22

- Automatic bending order
- Perfect control of electrical servo systems
- Archiving user bendings
- 2D/3D color graphics display and multi-simulation
- Windows 10 operating system
- D-Bend offline software
- Tandem applications
- 21.5 " TFT color touch screen with USB port and backup
- Network interface
- X1 - X2 - R1 - R2 - Z1 - Z2 and AP3 - AP4 part support system



DELEM 66 T

- 2D graphics touch screen programming mode Simulation and 3D imaging in manufacturing
- 17 " high resolution colour TFT
- Full Windows application package
- Delem modusys compliant
- USB, peripheral interface
- User-specific application support within controllers
- Multi-tasking environment
- Sensor and correction interface
- Profile - TL software



Standard & Optional Equipment

Standard Equipments

Y1, Y2, X, - 3- Axis
Control Unitesi - CNC DT15
CE Manuel F. AKAS II M FPSC-B-C + Safety Cages with switch
CE F.AKAS BVLTL Light barrier and safety cages (for tandem Press Brakes)
Back gauge - motorised & linear guide & ball bearing system (X)
Manuel Crowning System
European Clamping system
Sliding sheet support Arms with T-Channel and Tilting stop
Special designed – world-class hydraulics blocks & valves
World-class electrical equipment

Optional Equipments

Control Unit - SKY 22
Control Unit - CNC DA 66T
R CNC Axis [X=650 mm X,R]
European style top tool
European style bottom tool
Bottom tool Durma
Quick Release Clamping
CNC controlled Motorized Crowning
Back gauge 1000 mm - Back protection with Light barrier
Oil Cooler - Oil Heater
Additional Finger blocks & Sliding front arms
Overseas special packaging
DBEND 3D Bending arrangement and simulation software

Fast on Service and Spare Parts

DURMA provides the best level of service and spare parts with qualified personnel and spare parts in stock. Our experienced and professional service personnel are always ready at your service. Our professional training and application enriched courses will give you an advantage to use our machinery.



Consultancy



Spare Parts



R&D Center



After Sales Service



Service Agreements



Software



Training

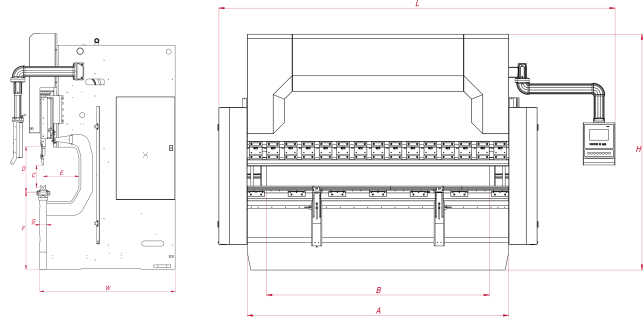


Flexible Solution

AD-R Series Technical Details

| AD-R Series | Bending Force | Bending Length | Distance Between Columns | | Stroke | Daylight | Throat Depth | Table Height | Table Width | Y Rapid Speed | Y Working Speed | | Y Axes Accuracy | X Axes Working Speed |
|-------------|---------------|----------------|--------------------------|-----|--------|----------|--------------|--------------|-------------|---------------|-----------------|----------------|-----------------|----------------------|
| | | | A | B | | | | | | | | Y Return Speed | | |
| | Ton | mm | mm | mm | mm | mm | mm | mm | mm/sn. | mm/sn. | mm/s | | mm/s | |
| | | A | B | C | D | E | F | G | | | | | | |
| AD-R 1260 | 60 | 1250 | 1050 | 160 | 400 | 350 | 900 | 104 | 200 | 10 | 110 | 0,01 | 500 | |
| AD-R 2060 | 60 | 2050 | 1700 | 160 | 400 | 350 | 900 | 104 | 200 | 10 | 110 | 0,01 | 500 | |
| AD-R 25100 | 100 | 2550 | 2200 | 265 | 530 | 450 | 900 | 104 | 180 | 10 | 120 | 0,01 | 500 | |
| AD-R 30100 | 100 | 3050 | 2600 | 265 | 530 | 450 | 900 | 104/180 | 180 | 10 | 120 | 0,01 | 500 | |
| AD-R 30135 | 135 | 3050 | 2600 | 265 | 530 | 450 | 900 | 104/180 | 160 | 10 | 120 | 0,01 | 500 | |
| AD-R 30175 | 175 | 3050 | 2600 | 265 | 530 | 450 | 900 | 104/240 | 160 | 10 | 100 | 0,01 | 500 | |
| AD-R 30220 | 220 | 3050 | 2600 | 265 | 530 | 450 | 900 | 104/240 | 140 | 10 | 140 | 0,01 | 500 | |
| AD-R 30320 | 320 | 3050 | 2600 | 365 | 630 | 450 | 900 | 154/300 | 160 | 10 | 140 | 0,01 | 500 | |
| AD-R 37175 | 175 | 3700 | 3100 | 265 | 530 | 450 | 900 | 104/240 | 140 | 10 | 100 | 0,01 | 500 | |
| AD-R 37220 | 220 | 3700 | 3100 | 265 | 530 | 450 | 900 | 104/240 | 160 | 10 | 120 | 0,01 | 500 | |
| AD-R 40175 | 175 | 4050 | 3600 | 265 | 530 | 450 | 900 | 104/240 | 160 | 10 | 140 | 0,01 | 500 | |
| AD-R 40220 | 220 | 4050 | 3600 | 265 | 530 | 450 | 900 | 104/240 | 160 | 10 | 140 | 0,01 | 500 | |
| AD-R 40320 | 320 | 4050 | 3600 | 365 | 630 | 450 | 900 | 154/300 | 160 | 10 | 140 | 0,01 | 500 | |
| AD-R 40400 | 400 | 4050 | 3400 | 365 | 630 | 510 | 1050 | 154/300 | 140 | 8 | 120 | 0,01 | 350 | |
| AD-R 60220 | 220 | 6050 | 5100 | 265 | 530 | 450 | 1050 | 154/300 | 140 | 10 | 120 | 0,01 | 350 | |
| AD-R 60400 | 400 | 6050 | 5100 | 365 | 630 | 510 | 1220 | 154/300 | 120 | 8 | 100 | 0,01 | 350 | |

Machines set according to optimum values.



| X Axes Accuracy | X Axes Dimensions | | | R Axes Working Speed" | R Axes Working Distance (Manual)" | R Axes Working Distance" | R Axes Precision" | Z Axes Working Speed | Z Axes Working Distance | Motor Power | Oil Tank Capacity | Length | Width | Height | Weight Approx. |
|-----------------|-------------------|-----|------|-----------------------|--------------------------------------|--------------------------|-------------------|----------------------|-------------------------|-------------|-------------------|--------|-------|--------|----------------|
| | 650 | 750 | 1000 | | | | | | | | | | | | |
| | mm | mm | mm | mm/s | mm | mm | | mm | kw | mm | kg | mm | mm | mm | mm |
| | | | | | | | | | | | | L | W | H | |
| 0,05 | S | - | O | 350 | 140 | 250 | 0,1 | 1000 | 490 | 7,5 | 100 | 2300 | 1550 | 2350 | 3500 |
| 0,05 | S | - | O | 350 | 140 | 250 | 0,1 | 1000 | 1100 | 7,5 | 100 | 3200 | 1550 | 2350 | 4000 |
| 0,05 | S | - | O | 350 | 140 | 250 | 0,1 | 1000 | 1580 | 11 | 100 | 3800 | 1670 | 2850 | 7800 |
| 0,05 | S | - | O | 350 | 140 | 250 | 0,1 | 1000 | 1990 | 11 | 100 | 4200 | 1670 | 2850 | 8500 |
| 0,05 | S | - | O | 350 | 140 | 250 | 0,1 | 1000 | 1990 | 15 | 150 | 4200 | 1680 | 2850 | 9580 |
| 0,05 | S | - | O | 350 | 140 | 250 | 0,1 | 1000 | 1990 | 18,5 | 250 | 4250 | 1700 | 2850 | 10900 |
| 0,05 | S | - | O | 350 | 140 | 250 | 0,1 | 1000 | 1990 | 22 | 250 | 4250 | 1770 | 3000 | 12600 |
| 0,05 | S | - | O | 350 | 140 | 250 | 0,1 | 1000 | 1990 | 37 | 250 | 4300 | 1820 | 3330 | 17100 |
| 0,05 | S | - | O | 350 | 140 | 250 | 0,1 | 1000 | 2375 | 18,5 | 250 | 4950 | 1700 | 3000 | 11750 |
| 0,05 | S | - | O | 350 | 140 | 250 | 0,1 | 1000 | 2375 | 22 | 250 | 4950 | 1770 | 3000 | 14440 |
| 0,05 | S | - | O | 350 | 140 | 250 | 0,1 | 1000 | 2910 | 18,5 | 250 | 5250 | 1700 | 2850 | 12780 |
| 0,05 | S | - | O | 350 | 140 | 250 | 0,1 | 1000 | 2910 | 22 | 250 | 5250 | 1770 | 3000 | 14750 |
| 0,05 | S | - | O | 350 | 140 | 250 | 0,1 | 1000 | 2910 | 37 | 250 | 5300 | 1910 | 3330 | 20000 |
| 0,05 | - | S | O | 300 | 140 | 250 | 0,1 | 1000 | 2670 | 37 | 500 | 5750 | 2110 | 3640 | 27760 |
| 0,05 | - | S | O | 300 | 140 | 250 | 0,1 | 1000 | 4400 | 22 | 500 | 7500 | 1770 | 3350 | 20800 |
| 0,05 | - | S | O | 300 | 140 | 250 | 0,1 | 1000 | 4400 | 37 | 250 | 7500 | 2110 | 3810 | 34600 |

DURMA



PANEL BENDER



PUNCH



PLASMA



L ANGLE PROCESSING CENTER



IRON WORKER



POWER OPERATED SHEAR

DURMA



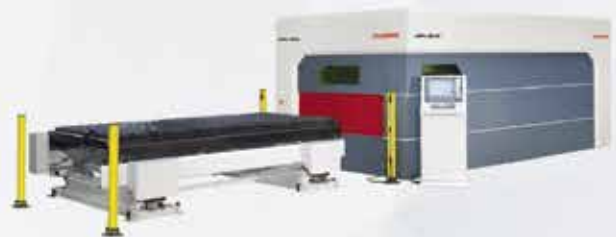
PRESS BRAKE



VARIABLE RAKE SHEAR



TUBE LASER CUTTING



FIBER LASER



ROLL BENDING



PROFILE BENDING



CORNER NOTCHER

Vertrauen Sie auf über 70 Jahre Erfahrung!

Die Firma HESSE+CO wurde 1947 als Hersteller von Blechbearbeitungsmaschinen gegründet. Seit 1980 sind wir auf den Handel mit neuen sowie gebrauchten Blechbearbeitungs- und Werkzeugmaschinen spezialisiert. Wir haben ständig etwa 300 Maschinen in unserer 2.000 m² großen Ausstellungshalle, die nur 20 Minuten vom internationalen Flughafen Wien entfernt ist.

Trust in more than 70 years of experience!

HESSE+CO was established in 1947 as a manufacturer of sheet metal working machines. Since 1980 we are specialized in dealing with new and second hand sheet metal processing machines and machine tools. We always have approximately 300 machines available in our 2.000 m² showroom, which is located only 20 minutes from the Vienna International Airport, waiting for your inspection.

www.hesse-maschinen.com

