

HD-TC

Laser Tube Cutting

Series



› Easy
To Use

› High Quality
Cutting

› High Quality
Cutting

› Low Energy
Consumption

› Faster

› Winning

› Ergonomic



As a total supplier for sheet metal manufacturing with almost 70 years of experience, Durma understands and recognizes the challenges, requirements and expectations of the industry. We strive to satisfy the ever higher demands of our customers by continuously improving our products and processes while researching and implementing the latest technologies

In our three production plants with a total of 150.000 m², we dedicate 1,000 employees to delivering high quality manufacturing solutions at the best performance-to-price ratio in the market.



PRODUCTION IS
MORE EFFECTIVE NOW

From the innovations developed at our Research & Development Center to the technical support given by our worldwide distributors, we all have one common mission: to be your preferred partner.

Durmazlar offers it's machines to the world markets under the Durma brand.



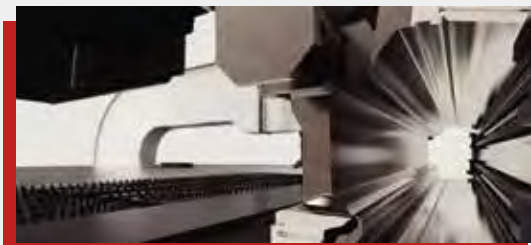
1

High technology,
modern production
lines



2

Top quality
components



3

High quality
machines designed
in R&D Centre

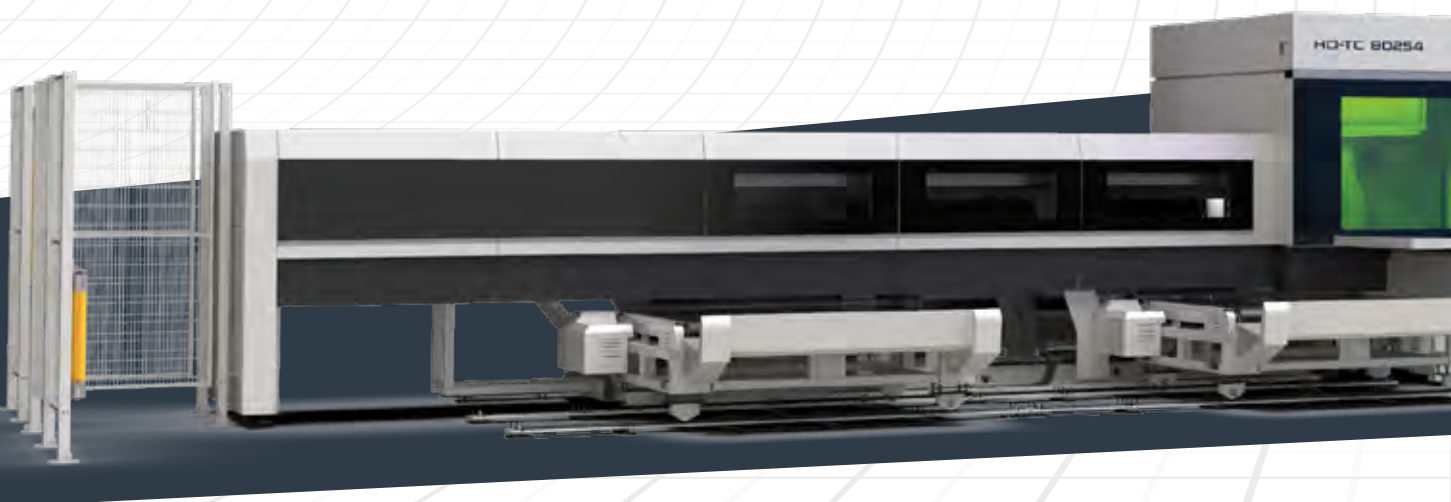
HD-TC

HD-TC Laser Tube Cutting

Laser tube cutting is specifically designed for businesses that care about high quality tube (Max. Diameter 220 mm) and profile (Max. Square 160 mm and Max. Rectangle 200 x 100 mm) 2D and 2.5D cutting. Using a laser cutting power of up to 4 kW, pipes and profile materials of thicknesses from 0.8 mm to 10 mm are cut. Full automatic Loading and Unloading requires less effort and time save for the operator.

The moving axes operate via maintenance-free, dynamic and high-performance AC servo motors. Suction system is used to vacuum the dust generated during laser cutting to the dust collection filter. Automatic pipe and profile loading system is designed in accordance with the principle of reducing the material preparation time and automatic pipe and profile unloading system to collect the cut materials without stopping the machine. Thanks to the compact layout of the machine, all pipe and profile loading / cutting / unloading actions are performed with less space and less processing.

HD-TC Lasers make differences with speed, high quality components, efficiency and industrial design.



Production is *More Effective Now.*

➤ User
Friendly

➤ Ergonomic

➤ Efficient

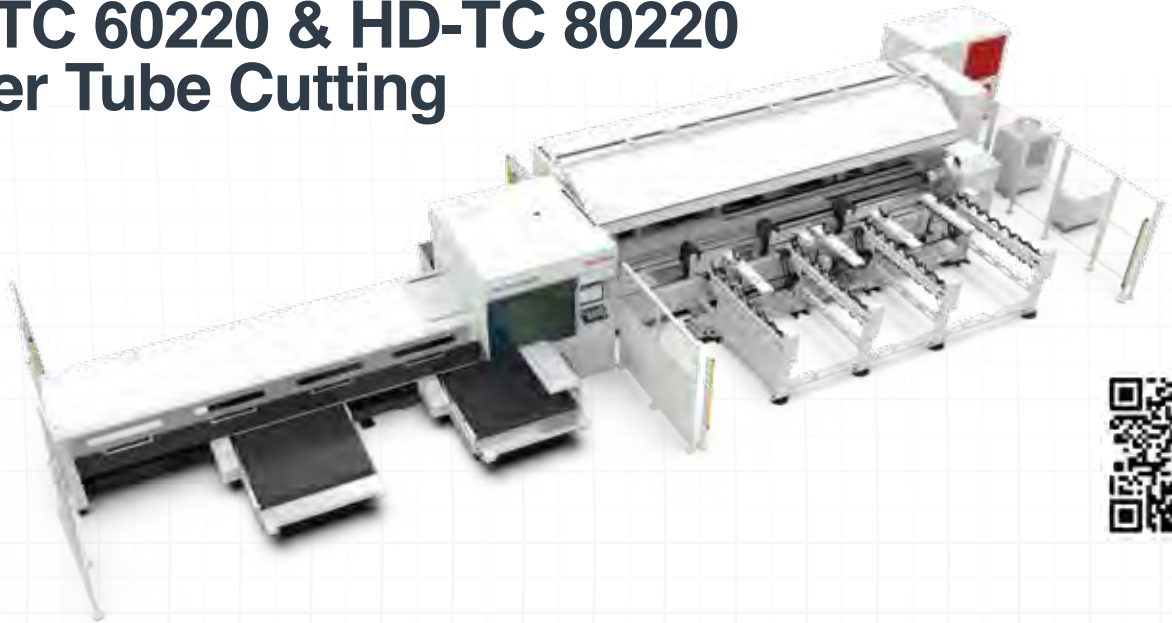
➤ Fast

➤ Reliable
Brand



HD-TC

HD-TC 60220 & HD-TC 80220 Laser Tube Cutting



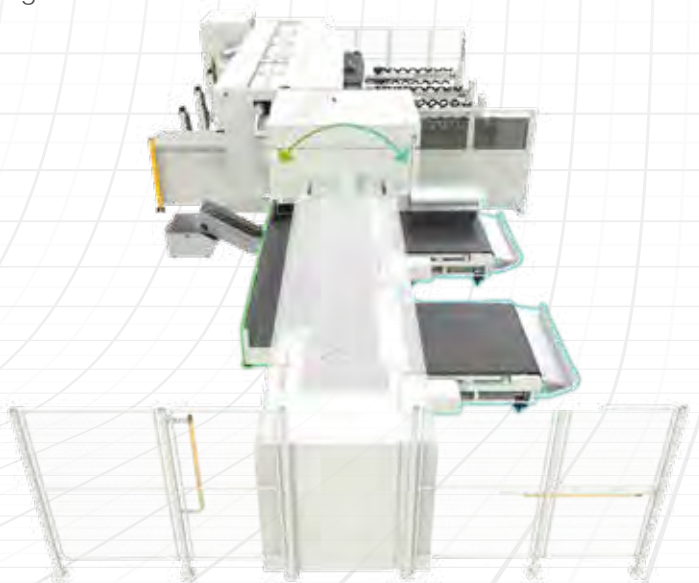
- Both – sides (front & back) unloading system
- Semi automatic loading system (upto Ø220 mm), automatic loading system (upto Ø170 mm)
- Ø220 mm profile diameter,
- 160x160 mm square tube dimension,
- 200x100 mm rectangular tube dimension, maximum cutting sizes.

The automatic unloading system is designed in accordance with the principles of separate training stacking according to the cut parts.

The automatic unloading system is a two-directions system, which has the conveyor on the front and the unloading bucket on the back. Up to customer request, it is possible to unload on both side.

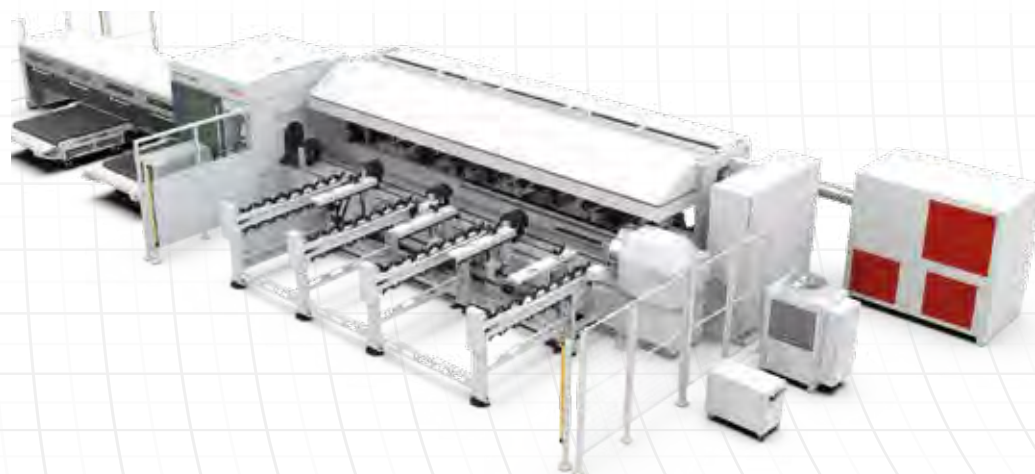
The automatic loading system was designed in accordance with the principle of bringing materials which were loaded as bundles, to the line after measuring one by one. During cutting, the next material is taken to ready position to load cutting line.

Automatic loading is used for profiles up to Ø170. Semi automatic loading system is suitable for profile between Ø12-220 mm. Profiles is loaded manually to 8 pcs. carrying grippers. And system makes loading process to the machine automatically.



Production is *More Effective Now.*

Technical Data		
Max. Pipe Diameter	Ø220	mm
Max. Square Profile Dimension	160 x 160	mm
Max. Rectangular Profile Dimension	200 x 100	mm
Min. Pipe Diameter	20 (12 manual loading)	mm
Max. Pipe Diameter For Automatic Loading	Ø170	mm
Max. Tube Size For Automatic Loading	150 x 100 / 120 x 120	mm
Max. Material Length	6500 / 8500	mm
Min. Material Length For Automatic Loading	3000	mm
Min. Length of Remaining Material	150	mm
Unloading Length	4600 / 6000	mm
Max. Material Weight	62	kg/m
Max. Total Workpiece Weight	372	kg
Max. Bundle Weight	3000	mm
Profile Types Can Be Cut	Round, Square, Rectangular, Elliptic	
Open Profile Types Can Be Cut	C,L,U	



■ Front Chain Loader - Semi Automatic (For Tubes > Ø170)

- 8 tubes can be loaded to chain loader at once.
- Different types of tubes can be loaded at once. (In the order in the part program list)
- Ø12 - Ø220 tubes can be loaded.
- After loading to cutting line, the tube length is measured automatically by measuring system

■ Driver Chuck

- It can hold variety of profiles by 4 clamps working independently as 2+2.
- Adjust pressure automatically according to profile material thickness.
- Fast and reliable clamping process with measuring position of jaws.
- Clamping range: Ø20-Ø220 (Ø12 optional)



HD-TC

Control Panel

The Sinumerik 840 DSL CNC controller is an efficient 64-bit microprocessor system with an integrated PC. The controller has a Durma operator interface and a complete cutting database for all standard pipe cutting applications.

The database includes the cutting parameters for standard tubes and profiles (steel, stainless steel, aluminium) for common thickness ranges. Based on these reference values the operator can easily improve the cutting quality for different types of materials.



Rack and Pinion Motion System (HD-F Series)

Axes motions achieved by rack and pinion design. There are low backlash gears between the motor and the pinion which otherwise could cause precision losses. High precision two-day, hardened helical racks with low clearance make it possible to achieved very high acceleration (10 m/ s²), speed (100 m/min.) and accuracy (0,05 mm) values.



Resonator	1.0 kW	2.0 kW	3.0 kW	4.0 kW
Product designation	YLR/YLS-1000	YLR/YLS-2000	YLR/YLS-3000	YLR/YLS-4000
Available operation modes	CW, QCW, SM			
Polarization	Random			
Available output power	100-1000 w	200-2000 w	300-3000 w	400-4000 w
Emission wavelength	1070 -1080nm			
Feed fiber diameter	Available in single mode, 50,100, 200, 300µm			
Ancillary Options	Options Available: Internal coupler, Internal 1x2 beam switch, Internal 50:50 beam splitter, External 1x4 or 1x6 beam switch			
Interface	Standard: LaserNet, Digital I/O, Analog Control Additional Options: DeviceNet or Profibus			

Material (Cutting Capacity)*	1.0 kW	2.0 kW	3.0 kW	4.0 kW
Mild Steel	4 mm	8 mm	10 mm	10 mm
Stainless Steel	2 mm	5 mm	6 mm	6 mm
Aluminium (AlMg3)	3 mm	6 mm	8 mm	8 mm

Low Operating Costs

- Low energy consumption
- Low cost per component
- Optimised focal distance for all thickness values
- Maintenance free operation
- Compact design, fast installation
- Rigid body structure, high durability

* Standard cutting parameters

Production is *More Effective Now.*

■ CAD/CAM Software

- The laser power is controlled as a function of the path, velocity, time and travel.
- Close-loop working.
- Optional functions.
- 6 MB expanded user memory, external memory option.
- Advanced optimisation: tools optimisation.
- Fast tool way collision protection. Toolway optimisation to prevent damage from possible deformed material.
- Writings supported by your operating system can be applied directly on the material to be cut.
- Cutting direction, clockwise or opposite is supported.
- Advanced corner applications provide perfect corners and soft cutting.
- Fillets, cooling, slowing down, circulation.
- Shared Cuttings: This function is especially useful for thick plates and reduces the need of marking holes during cutting
- Automatic entry point
- Fully automatic cutting
- Z-Axis control

Lantek - Metalix

■ Chiller

The cooler is a device that provides cooling of the laser power source, optics in the cutting head. It has a water based cooling system.

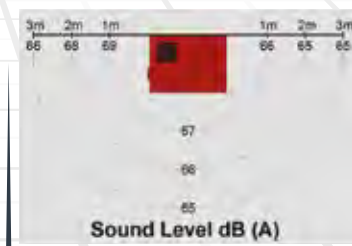
Thanks to the dual circuit system, cooling water is sent at different temperatures, which are needed for optics and laser power supply.



■ Filter

It provides a healthy working environment by absorbing smoke, dust and small particles formed during cutting. The vibrating dust collection filter is fully automatic. It runs automatically when cutting is started.

Filter cartridges are a compact unit with integrated fan motor assembly and jet-pulse (back blow) cleaning system.



Low noise level



Easy access to filters and dust bins

HD-TC

2D & 2.5D CUTTING HEAD

THE NEW GENERATION OF EFFICIENT CUTTING HEADS

For flatbed cutting systems: The cutting head LightCutter 2.0 is the perfect solution for efficient and cost-effective laser cutting. The new generation of our Light Cutter family is designed for cutting applications in the medium power range up to 4 kW and is characterized by a high cutting quality for all metals - especially mild steel, stainless steel and aluminum.

Thanks to an automated motor - driven adjustment of the axial focus position, the cutting head works precise and stable at all times, even at accelerations of up to 3G. The display of the set focus position on the front of the cutting head makes commissioning much easier. The LightCutter 2.0 Motorized covers a large focus position range of 23 mm.

The flexible cutting head is available in 2D & 2.5D versions: While the 2D version is suitable for integration in flatbed and simple tube and profile cutting systems, the 2.5D version is ideal for use in professional tube and profile cutting systems as well as in demanding free-form applications. The narrow contour of the 2.5D cutting head's lower section enables even complex cuts on tubes, profiles and free-form parts with an inclination angle of up to 45 degrees.

Flat Cutting (2D)

Applications

Bevel Cutting (2.5D)



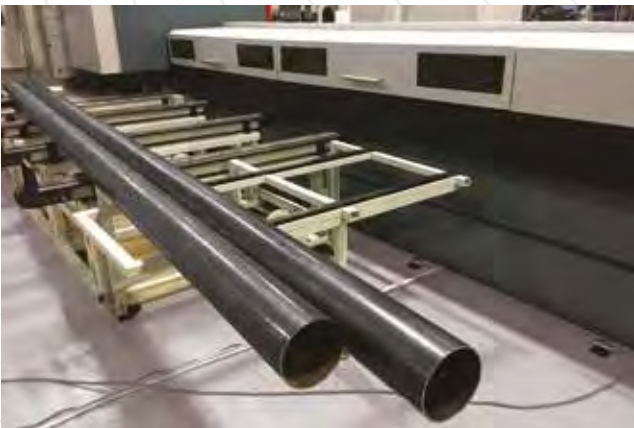
LightCutter 2.0
Motorized

Fiber Socket



Production is *More Effective Now.*

Tube-Cutting Technical Specifications	
Max Diameter (mm)	Ø220
Max Square Tube Dimension (mm)	160 x 160
Max Rectangular Tube Dimension (mm)	200 x 100
Min. Diameter (mm)	Ø20 (Ø12 Option)
Max. Tube Length (mm)	6500 / 8500
Min. Tube Length (for automatic loading)	3000
Max. Tube Weight (kg/m)	62
Max. Material Thickness (mm)	10
Min. Material Thickness(mm)	0,8
Automatic Loading	Yes
Automatic Unloading	Yes
Cutting Head	2D (Option 2.5D)
Amount of Chuck	1
Centering Chuck	Yes
Last Cut Tube Length (mm)	145
Velocity of Driver Chuck (m/min)	80
Acceleration of Driver Chuck (m/s ²)	10
Cutting Accuracy (mm)	±0,20
Positioning Accuracy (mm)	±0,05
Tube Types	Round, Square, Rectangular, Eliptic
Beam Types	C, U, L



Tubes up to 6 m of length are removed by automatic unloading system with conveyor.



HD-TC

■ Auto Loading System

Profiles taken from bundle one by one to the chain, system moves the profile up and grippers clamps the profile and move it to the chuck axis and chuck holds the profile.



■ Tube Transfer System

Tube transfer system ensures that tubes are taken to cutting line with right position.



■ Chain Transfer System

Chain transfer system is used with the principle of loading stainless steel aluminium brass etc. tubes without stretching.



■ Automatic Loading Gripper System

Tubes which come from loading unit are transferred to cutting zone and centered automatically.



■ **Measuring Profile Length**

With servo motor on it measures profile length and send the data to the system.



■ **Hydraulic Profile Holder**

It can hold variety of profiles by 4 clamps working independently as 2+2. Adjust hydraulic pressure automatically according to profile material thickness.



■ **Z Axis**

Z axis allows faster cutting process with its high dynamic performance. Laser head with automatic focusing eliminates time loss in the preparation phase before cutting.



■ **Profile Support system**

4 pieces support arms with servo motors obtain the loading to be the same level with hydraulic chuck. As hydraulic chuck move forward the profile at X1 axis, supports arms close down one by one to open the front of hydraulic chuck.



HD-TC

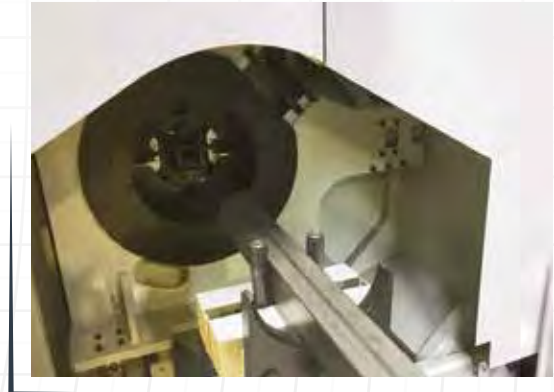
■ Centering Chuck Tube

To get cutting precision, centers the profile as close as possible to cutting head. Driver turn synchronized with chuck. 4 independent clamps come to position automatically before profile comes.



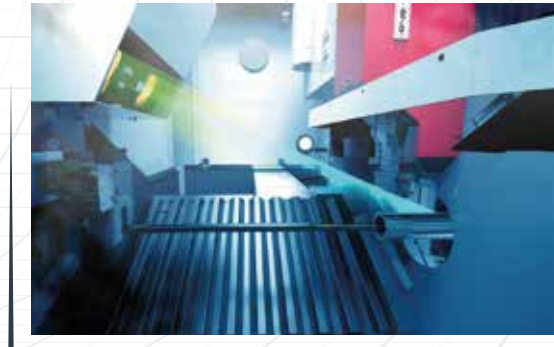
■ Tube Centering Mechanism

Tubes centering mechanism which is on the first support takes tubes to the chuck axis.



■ Seam Detection Sensor

The Seam Detection sensor attached to the HDTC machines detects the stitched surface when the pipe is loaded on the machine and provides the ability to rotate the operator's cut holes at any angle.



■ Centering System with Laser Sensors

With the newly added laser sensor centering option added to the HDTC machines, it is possible to control the size and irregular structure of the profile during cutting or before cutting with the help of sensors to ensure that the internal contours to be cut are at the right point.



■ **Spatter Protection System**

The Spatter Protection system is used to prevent the slag coming out at the cutting edge from sticking to the opposite surface of the profile. The burrs adhering to the inner surface of the profile disrupt both the cutting quality and cause some cleaning of the inner surface of the work pieces. All these problems can be prevented by Spatter Protection system.



■ **2.5 D Bevel Cutting (Option)**

Perfect integration of the 2.5D bevel cutting option in HD-TC machines to obtain the required angular surfaces of the welded joints of pipes and profiles. High-speed and quality angle cutting between 0 - 45 ° angles in pipes and profiles up to 12 - 220 mm in diameter and 8 mm in thickness.



■ **Automatic Unloading System**



For smaller parts than 800 mm, unloading table stays in outside and another small unloading system unloads the parts.



For longer parts than 800 mm, unloading table enters the cabin and unloads the parts.



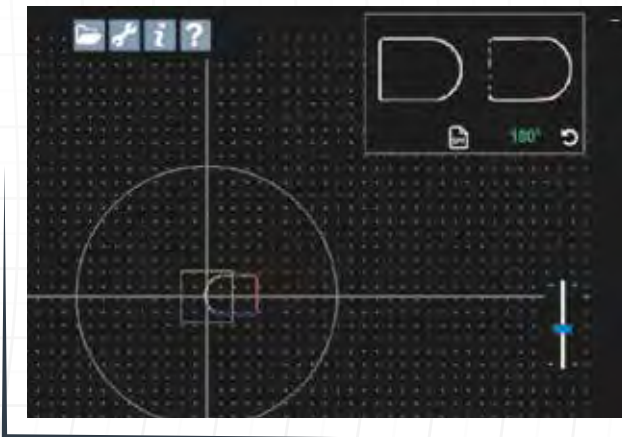
HD-TC

SMART PROFILE DETECTION

Automatically loading of non-symmetrical profiles is a common problem for many customers. We eliminated this problem with Durma Smart Profile Detection System. Automatically loading of all profiles is now much easier and smoother.

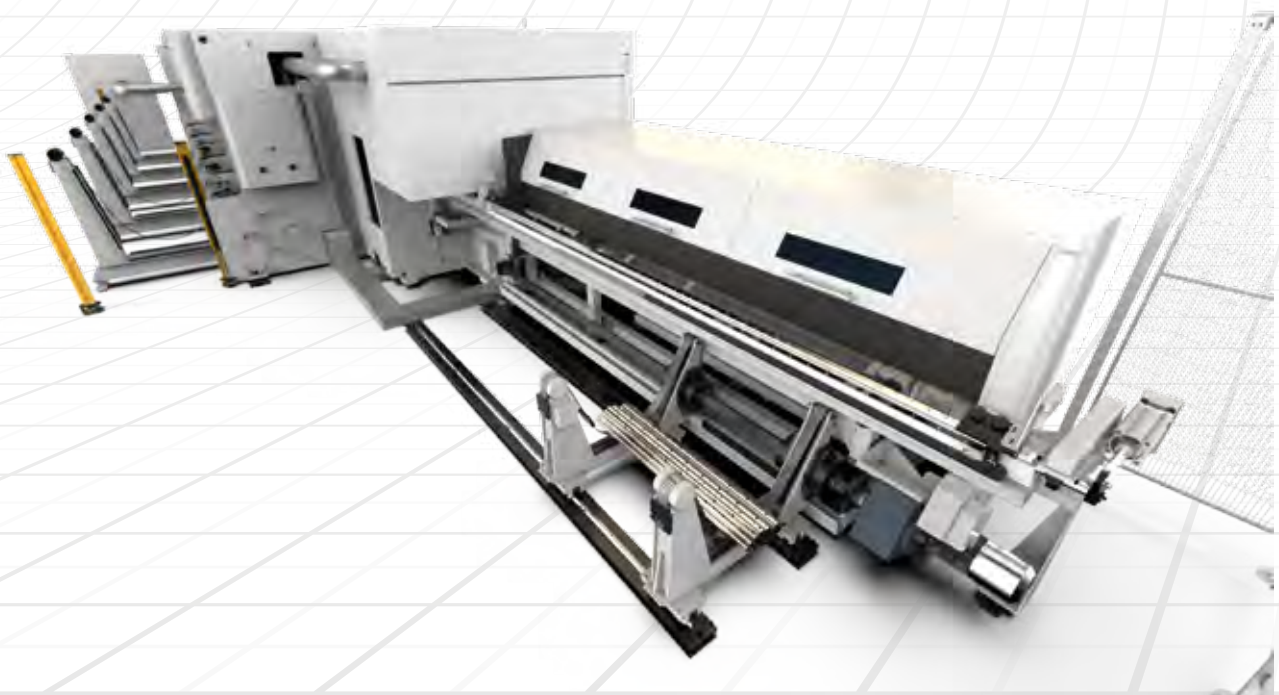
Durma profile cutting fiber laser, simplifies fully automatic laser profile cutting.

You can now easily load specially shaped profiles automatically, which was previously not possible due to the special geometries of the profiles.

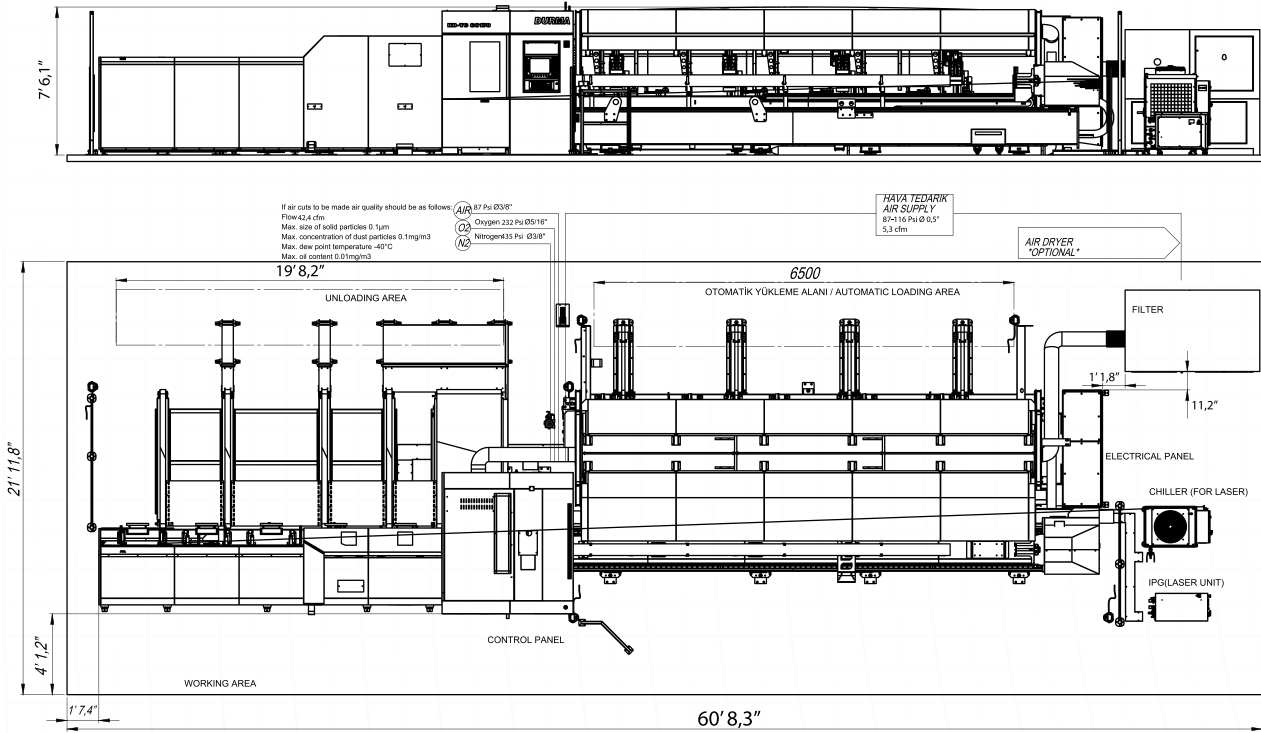


Full Automatic Loading & Stacking

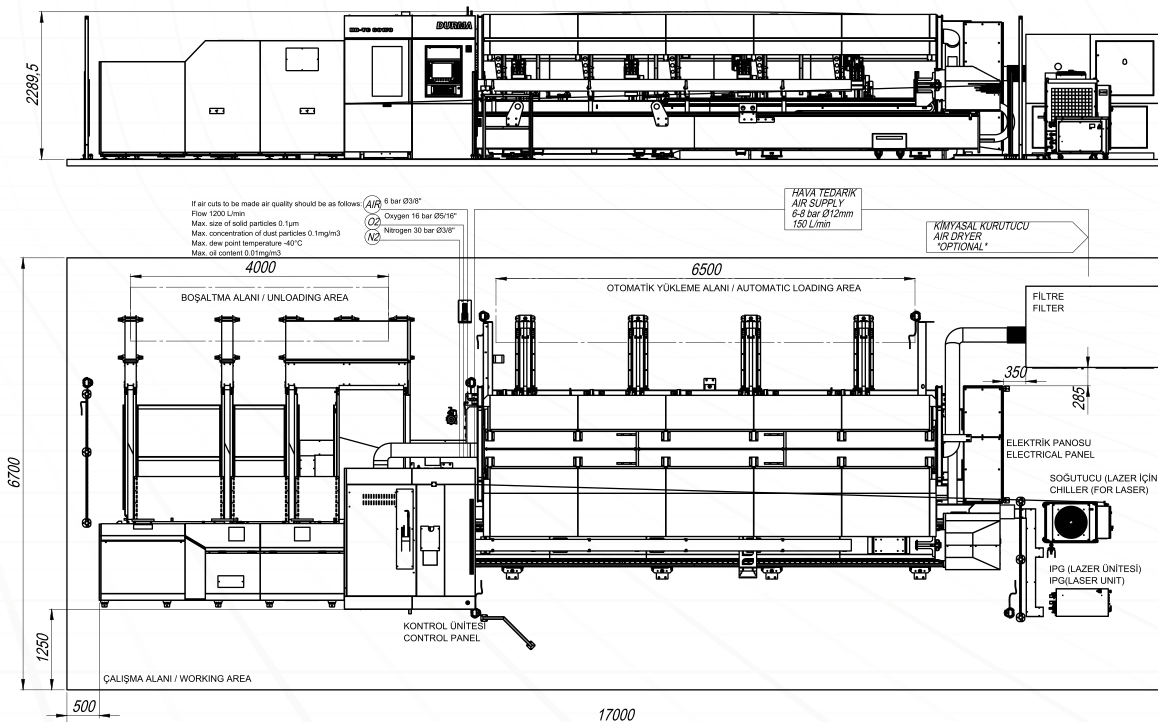
Your profiles are ready for packing after cutting operations. Durma has developed automated profile stacking system according to your profile lengths to prevent time losses and extra costs during pick up and place of the profiles after cutting.



Layout (6 m Unloading System With Conveyor)



Layout(4 m Unloading System)



HD-TC

SPECIAL APPLICATIONS



Industrial Machines



Steel Service Center



Damper Trailer



Lighting and Energy Poles

Production is *More Effective Now.*

FAST ON SERVICE AND SPARE PARTS

DURMA provides the best level of service and spare parts with qualified personnel and spare parts in stock. Our experienced and professional service personnel are always ready at your service. Our professional training and application enriched courses will give you an advantage to use our machinery.



Vertrauen Sie auf über 70 Jahre Erfahrung!

Die Firma HESSE+CO wurde 1947 als Hersteller von Blechbearbeitungsmaschinen gegründet. Seit 1980 sind wir auf den Handel mit neuen sowie gebrauchten Blechbearbeitungs- und Werkzeugmaschinen spezialisiert. Wir haben ständig etwa 300 Maschinen in unserer 2.000 m² großen Ausstellungshalle, die nur 20 Minuten vom internationalen Flughafen Wien entfernt ist.

Trust in more than 70 years of experience!

HESSE+CO was established in 1947 as a manufacturer of sheet metal working machines. Since 1980 we are specialized in dealing with new and second hand sheet metal processing machines and machine tools. We always have approximately 300 machines available in our 2.000 m² showroom, which is located only 20 minutes from the Vienna International Airport, waiting for your inspection.

www.hesse-maschinen.com

